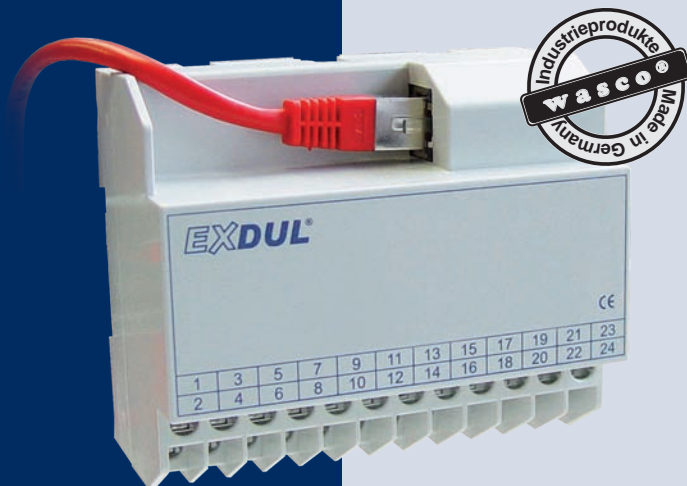


wasco[®]

EXDUL-584S

**Ethernet Module with 8 Analog Inputs, 8 Analog Outputs,
1 Optocoupler Input, 1 Optocoupler Output**



8 A/D inputs 16 bit

8 A/D inputs single-ended
or

4 A/D inputs differential

8 D/A outputs 16 bit

1 optocoupler input

1 optocoupler output

EXDUL-584S provides either eight ground referenced or four differential 16-bit A-D input channels. Several bipolar input voltage ranges (+/-0.63 V, +/-1.27 V, +/-2.55 V, +/-5.1 V, +/-10.2 V) can be adjusted. The conversion process including the associated configuration of the A/D components (selection of range and channel) is triggered by software commands. The bipolar output voltage ranges (+/-2.55V, +/-5.1V, +/-10.2V) of all of the eight 16-bit D/A outputs are software-selectable as well. Additionally the module provides one digital input and one digital output which are opto-isolated galvanically by high-quality optocouplers and equipped with additional protection diodes. Special high power output optocouplers cope with a switching current up to 150 mA. The optocoupler input may be programmed and used as a counter input if required. An external power supply or the USB interface powers the module with the required operating voltage.

© 2018 by Messcomp Datentechnik GmbH
Phone: +49.8071.9187.0
Fax: +49.8071.9187.40
www.messcomp.com/info@messcomp.com

SPECIFICATIONS

A/D inputs

8 inputs single-ended (se)
or 4 inputs differential (diff)
or combined se/diff selectable via software
Resolution: 16 bit
Input voltage range bipolar:
+/-0.63 Volt, +/-1.27 Volt, +/-2.55 Volt,
+/-5.1 Volt, +/-10.2 Volt
FIFO: 10000 values
Input resistor: 500 MΩ
Over voltage protection: 50V
Measuring cycle: 100kHz

D/A outputs

8 outputs
Resolution: 16 bit
Output voltage range bipolar
+/-2.55 Volt, +/-5.1 Volt, +/-10.2 Volt
Output current: max +/-5 mA

Optocoupler input

1 bipolar channel, galvanically isolated
Over voltage protection diodes
Input voltage range
high = 10..30 Volt
low = 0..3 Volt

Optocoupler output

1 channel, galvanically isolated
High capacity optocouplers
Reverse polarity protection
Output current: max. 150 mA
Switching voltage: max. 50 V

Operation voltage

via USB
or via external power supply
+10 V...+30 V

Ethernet Interface

Compatible with USB 2.0
USB Connection Plug and Play (hot-pluggable, connectable at operating system)

Connection Terminals

1 * 24-pin screw terminal block
1 * USB socket Type B

Ethernet connection lines

RJ45 network cable Cat5 or higher

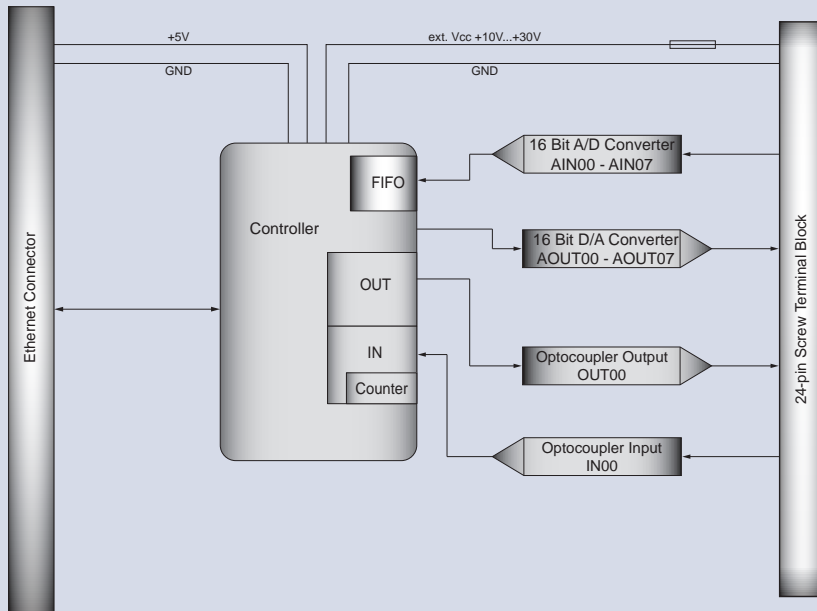
Dimensions

105 mm x 89 mm x 59 mm (l x b x h)

Casing

Insulating plastic casing with integrated snap-on technology for DIN EN rail mounting. Suitable for control and engineering technology mounted to control and distribution boxes, surface mounting or mobile use on a desk.

BLOCK DIAGRAM



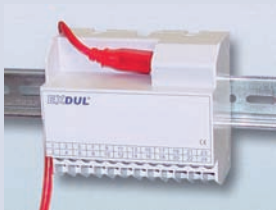
PIN ASSIGNMENT

Terminals Vcc_EXT und GND_EXT are provided for an application of 10 ... 30 V voltage supply.

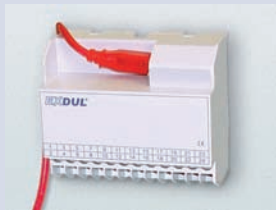
Screw-Terminal CN1

AIN01+	2	1	AIN00+
AIN03+	4	3	AIN02+
AIN05+	6	5	AIN04+
AIN07+	8	7	AIN06+
AOUT01+	10	9	AOUT00+
AOUT03+	12	11	AOUT02+
AOUT05+	14	13	AOUT04+
AOUT07+	16	15	AOUT06+
DAGND	18	17	ADGND
OUT00-	20	19	OUT00+
IN00-	22	21	IN00+ / Counter0
GND_EXT	24	23	Vcc_EXT

ASSEMBLY AND APPLICATION OPTIONS



Top-hat Rail Mounting



Wall Mounting



Mobile Use on a Desk

The module provides a 24-pin screw terminal block for connecting the external power supply as well as the analog/digital inputs and outputs. The compact chassis enables the module to be used as a portable device with a notebook. For mechanical or control engineering it can also be easily wall mounted or attached to DIN mounting rail.

PROGRAMMING

Windows®:

Driver and program examples for Java, VB.NET, C++.NET, C#.NET, LabView Tutorial

Linux®:

Driver and program examples for C, C++ and Java (see manual)

on enclosed CD or download at:
www.messcomp.com, Section Support - Software

SCOPE OF DELIVERY

Ethernet Module EXDUL-584S

Cat.5 Ethernet cable 1 m

German Description (English on request)

Installation and sample programs

ORDER INFORMATION

EXDUL-584S

EDP-No. A-371920

Ethernet Optocoupler I/O Module

SUITABLE ACCESSORIES

DR-60-24

EDP-No. A-3425

Switching power supply providing one output 24 V / 2,5 A, closed construction design, touch-protected screw terminals, overload protection by current limitation, Power-On-LED



F4652-24-Set

EDP-No. A-351024

Industrial power relay combination with two changeover contacts 250 V / 8 A and free-wheeling diode, snap-on technology for DIN EN top-hat rails



For more detailed information about the here listed and other accessories we refer to the corresponding data sheets

Product and company names mentioned may be trademarks of their respective owners