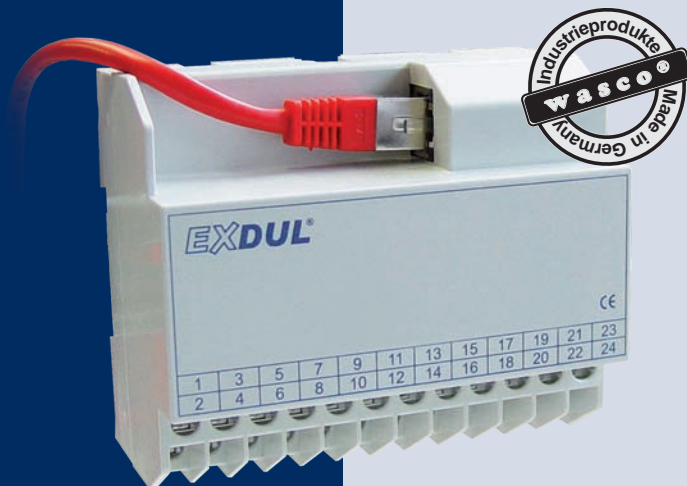


# EXDUL-537S

**Ethernet Module with 12 Optocoupler Inputs, 8 Relay Outputs and 6 Counters**



**12 optocoupler inputs**

**8 relay outputs**

**6 counters 32 Bit**

## SPECIFICATIONS

The EXDUL-537S provides 12 digital inputs and eight digital outputs galvanically opto-isolated. The inputs are isolated via high-quality optocouplers protected with additional overvoltage protection diodes. Powerful relays, which can handle a switching current of 2A, ensure the isolation at the outputs.

Six of the 12 optocoupler inputs can also be programmed as hardware-supported 32-bit counter inputs if required.

An external power supply powers the module with the required operating voltage.

The module provides a 24-pin screw terminal block for connecting the external power supply as well as the input and output optocouplers.

The compact chassis enables the module to be used as a portable device with a notebook. For mechanical or control engineering it can also be easily wall mounted or attached to DIN mounting rail.

### Digital Optocoupler Inputs

12 bipolar channels galvanically isolated  
Optocoupler contact A with one terminal connection each, Optocoupler contact B sharing one terminal  
Overvoltage protection diodes  
Input voltage ranges  
high = 10 ..... 30 V  
low = 0 ..... 3 V

### Digital Relay Outputs

8 output channels galvanically isolated  
Relay contact A with one terminal connection each, relay contact B sharing one terminal  
Contact: 1 NO contact  
Contact current rating: max. 2 A per channel  
Contact voltage rating: max. 30 V AC / 30 V DC  
Contact power rating: max. 60 VA / 60 W  
Mechanical lifetime: min. 10<sup>6</sup> switching cycles without load  
Contact lifetime: 2 A, 30 VAC at NO contact, ca 2\*10<sup>5</sup> switching cycles  
Switching frequency under load: typ. 10/min  
Switching frequency without load: typ. 300/min

### Counters

6 hardware supported programmable digital 32-bit counters (6 of the input optocouplers are assigned)  
Counting frequency: max. 5 kHz

### Power Supply

+10 V...+30 V via external power supply

### Ethernet Interface

10/100Base-T Ethernet Interface

### Module connections

1 \* 24pin screw terminal  
Ethernet RJ45 socket

### Ethernet connecting cable

RJ45 network cable Cat5 or later

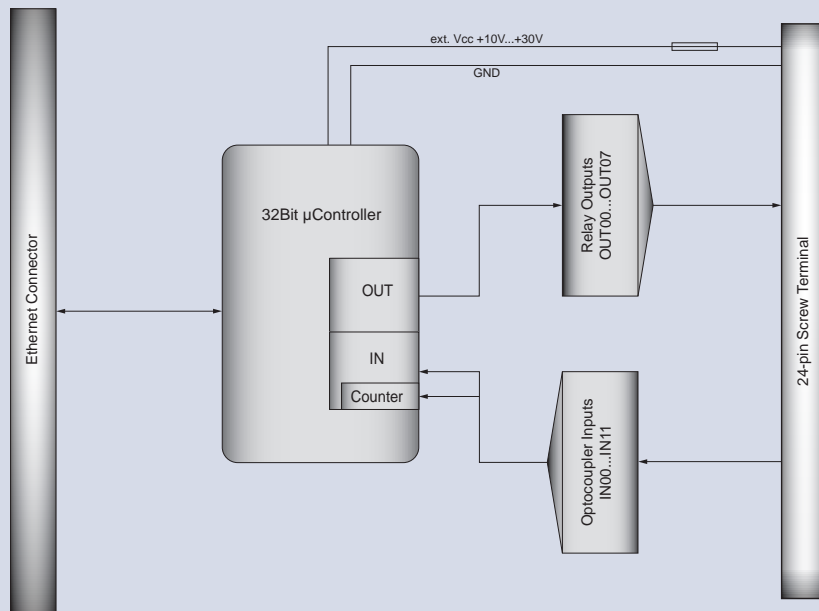
### Product dimensions

105 mm x 89 mm x 59 mm (l x b x h)

### Casing

Plastic casing with integrated snap-on technology for top-hat rail mounting to DIN EN. Suitable for control and engineering technology mounted to control and distribution boxes, surface mounting or mobile use on a desk.

## BLOCK DIAGRAM



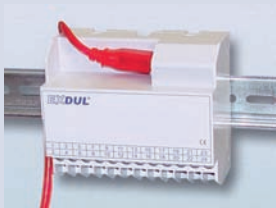
## PIN ASSIGNMENT

Terminals Vcc\_EXT und GND\_EXT are provided for an application of 10 ... 30 V external voltage supply.

### Screw Terminal CN1

DOUT01A	2	1	DOUT00A
DOUT03A	4	3	DOUT02A
DOUT05A	6	5	DOUT04A
DOUT07A	8	7	DOUT06A
DIN00 / Counter0	10	9	DOUT00 .. 07B
DIN02 / Counter2	12	11	DIN01 / Counter1
DIN04 / Counter4	14	13	DIN03 / Counter3
DIN06	16	15	DIN05 / Counter5
DIN08	18	17	DIN07
DIN10	20	19	DIN09
DIN_COM	22	21	DIN11
GND_EXT	24	23	Vcc_EXT

## ASSEMBLY AND APPLICATION OPTIONS



Top-hat Rail Mounting



Wall Mounting



Mobile Use on a Desk

## PROGRAMMING

### Windows®:

Driver and program examples for Java, VB.NET, C++.NET, C#.NET, LabView Tutorial

### Linux®:

Driver and program examples for C, C++ and Java (see manual)

on enclosed CD or download at:  
[www.messcomp.com](http://www.messcomp.com), Section Support - Software

## SCOPE OF DELIVERY

Ethernet Module EXDUL-537S

Cat.5 Ethernet cable 1 m

German Description (English on request)

Installation and sample programs

## ORDER INFORMATION

EXDUL-537S

EDP-No. A-375420

Ethernet Optocoupler I/O Module

## SUITABLE ACCESSORIES

### DR-60-24

EDP-No. A-3425

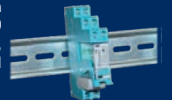
Switching power supply providing one output 24 V / 2,5 A, closed construction design, touch-protected screw terminals, overload protection by current limitation, Power-On-LED



### F4652-24-Set

EDP-No. A-351024

Industrial power relay combination with two changeover contacts 250 V / 8 A and free-wheeling diode, snap-on technology for DIN EN top-hat rails



For more detailed information about the here listed and other accessories we refer to the corresponding data sheets

Product and company names mentioned may be trademarks of their respective owners