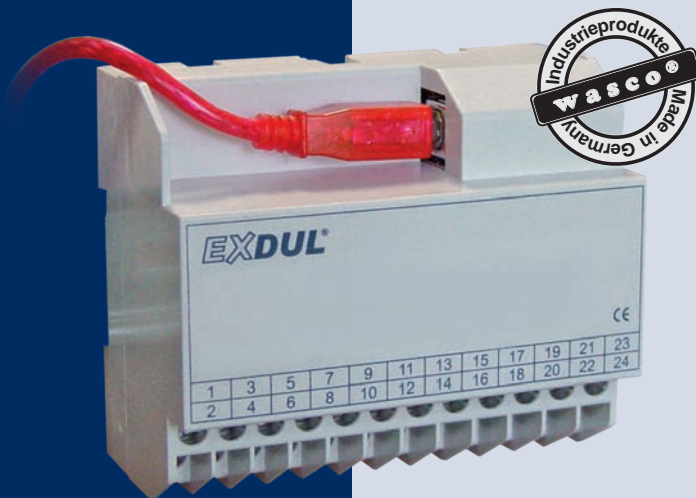


# EXDUL-392S100

USB Module with 4 Analog Voltage Inputs, 2 Analog Current Inputs, 1 Optocoupler Input, 1 Optocoupler Output, and 3 Temperature Measuring Units PT100



- 4 A/D inputs 16 bit**  
voltage measurement
- 2 A/D inputs**  
current measurement 4..20mA
- 1 optocoupler input**
- 1 optocoupler output**
- 3 temperature measuring units**  
PT100 3-wire sensing
- 1 counter 32 bit**

## SPECIFICATIONS

EXDUL-392 features either four ground referenced or two differential 16-bit A/D input channels. Several bipolar input voltage ranges (+/-0.63 V, +/-1.27 V, +/-2.55 V, +/-5.1 V, +/-10.2V) can be adjusted. The two bipolar current inputs (+/- 20mA) are calibrated to 4..20mA. For temperature measurement the module features 3 measuring units with PT100 sensors, each of which with individual current source and metering inputs. The conversion process including the associated configuration of the A/D components (selection of range and channel) is triggered by software commands. Additionally the module provides one digital input and one digital output which are opto-isolated galvanically by high-quality optocouplers and are equipped with additional protection diodes. The special high power output optocoupler copes with a switching current up to 150 mA. The optocoupler input may be programmed and used as a 32-bit counter input if required. An external power supply or the USB interface powers the module with the required operating voltage.

### A/D inputs voltage

4 inputs single-ended (se) or 2 inputs differential (diff) or combined se/diff selectable via software  
Resolution: 16 bit  
Input voltage range bipolar:  
+/-0,63 Volt, +/-1,27 Volt, +/-2,55 Volt, +/-5.1 Volt, +/-10.2 Volt  
FIFO: 10000 values  
Input resistance: 500 MΩ  
Over voltage protection: 50V  
max. sampling rate:100kHz

### A/D inputs current

2 inputs  
Resolution: 15 bit  
Measuring range +/- 20mA  
Calibrated to 4..20mA  
Input resistance 120Ω  
FIFO: 10000 measured values  
max. sampling rate 100kHz

### Optocoupler input

1 bipolar channel  
Over voltage protection diodes  
Input voltage range  
high = 10..30 Volt  
low = 0..3 Volt

### Optocoupler output

1 channel  
High capacity optocouplers  
Reverse polarity protection  
Output current: max. 150 mA  
Switching voltage: max. 50 V

### Counter

1 programmable counter 32 Bit  
(allocated to the optocoupler input)  
counting frequency: max. 5 kHz

### 3 Temperature measuring units PT100

3-wire sensing

### Operation voltage

via USB port or via external power supply  
+10 V...+30 V

### USB interface

USB 2.0 compatible  
USB connection Plug-and-Play (hot pluggable)

### Connection Terminals

1 \* 24-pin screw terminal block  
1 \* USB port type B

### USB connecting cable

1 \* USB plug type A  
1 \* USB plug type B

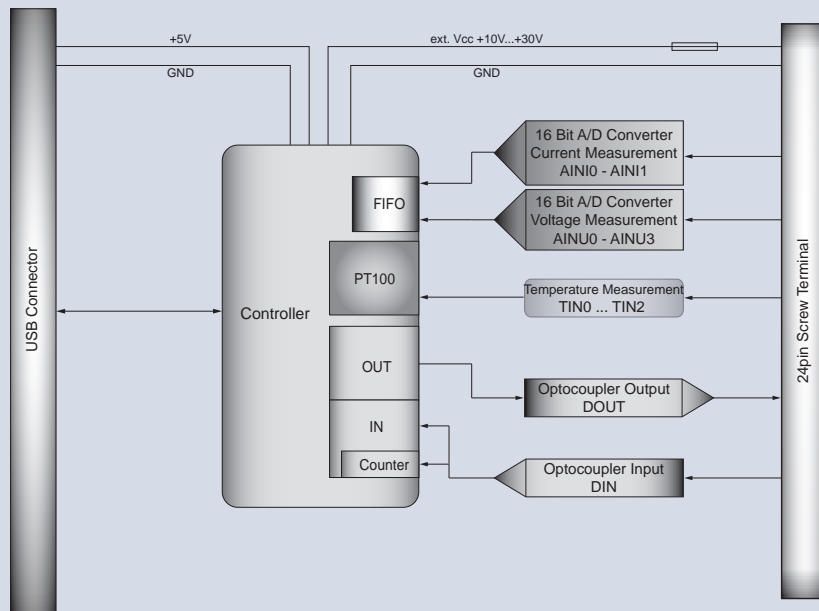
### Dimensions

105 mm x 89 mm x 59 mm (l x b x h)

### Casing

Insulating plastic casing with integrated snap-on technology for DIN EN rail mounting. Suitable for control and engineering technology mounted to control and distribution boxes, surface mounting or mobile use on a desk.

## BLOCK DIAGRAM



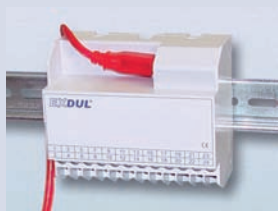
## PIN ASSIGNMENT

The Terminals Vcc\_EXT und GND\_EXT are designated for an application of an external supply voltage of 10 ... 30 V.

### Screw Terminal CN1

AINU1+	2	1	AINU0+
AINU3+	4	3	AINU2+
AINI0-	6	5	AINI0+
AINI1-	8	7	AINI1+
FORCE0+	10	9	AGND
FORCE0-	12	11	RTDIN0+
RTDIN1+	14	13	FORCE1+
FORCE2+	16	15	FORCE1-
FORCE2-	18	17	RTDIN2+
DOUT0-	20	19	DOUT0+
DIN0-	22	21	DIN0+
GND_EXT	24	23	Vcc_EXT

## ASSEMBLY AND APPLICATION OPTIONS



Top-hat Rail Mounting



Wall Mounting



Mobile Use on a Desk

The module provides a 24-pin screw terminal block for connecting the external power supply and the analog or digital inputs and outputs. The compact chassis enables the module to be used as a portable device with a notebook. For mechanical or control engineering it can also be easily wall mounted or attached to DIN mounting rail.

## PROGRAMMING

### Windows®:

Driver and program examples for Java, VB.NET, C++.NET, C#.NET, LabView Tutorial

### Linux®:

Driver and program examples for C, C++ and Java (see manual)

on enclosed CD or download at:  
[www.messcomp.com](http://www.messcomp.com), Section Support - Software

## SCOPE OF DELIVERY

USB Module EXDUL-392S

USB connection cable (Typ A-B) 3m long

German Description (English on request)

Installation and sample programs

## ORDER INFORMATION

EXDUL-392S

EDP-No. A-382210

USB Optocoupler I/O Module

## SUITABLE ACCESSORIES

### DR-60-24

EDP-No. A-3425

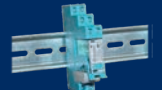
Power supply providing an output 24 V / 2,5 A, closed construction design, contact-protected screw terminals, overload protection via current limitation, Power-On-LED



### F4652-24-Set

EDP-No. A-351024

Industrial high-power relay combination of two change-over contacts 250 V / 8 A and free-wheeling diode, snap-on technology for DIN EN top-hat mounting



For more detailed information about the here listed and other accessories we refer to the corresponding data sheets

Product and company names mentioned may be trademarks of their respective owners